

36V | 20Ah | Li-Ion



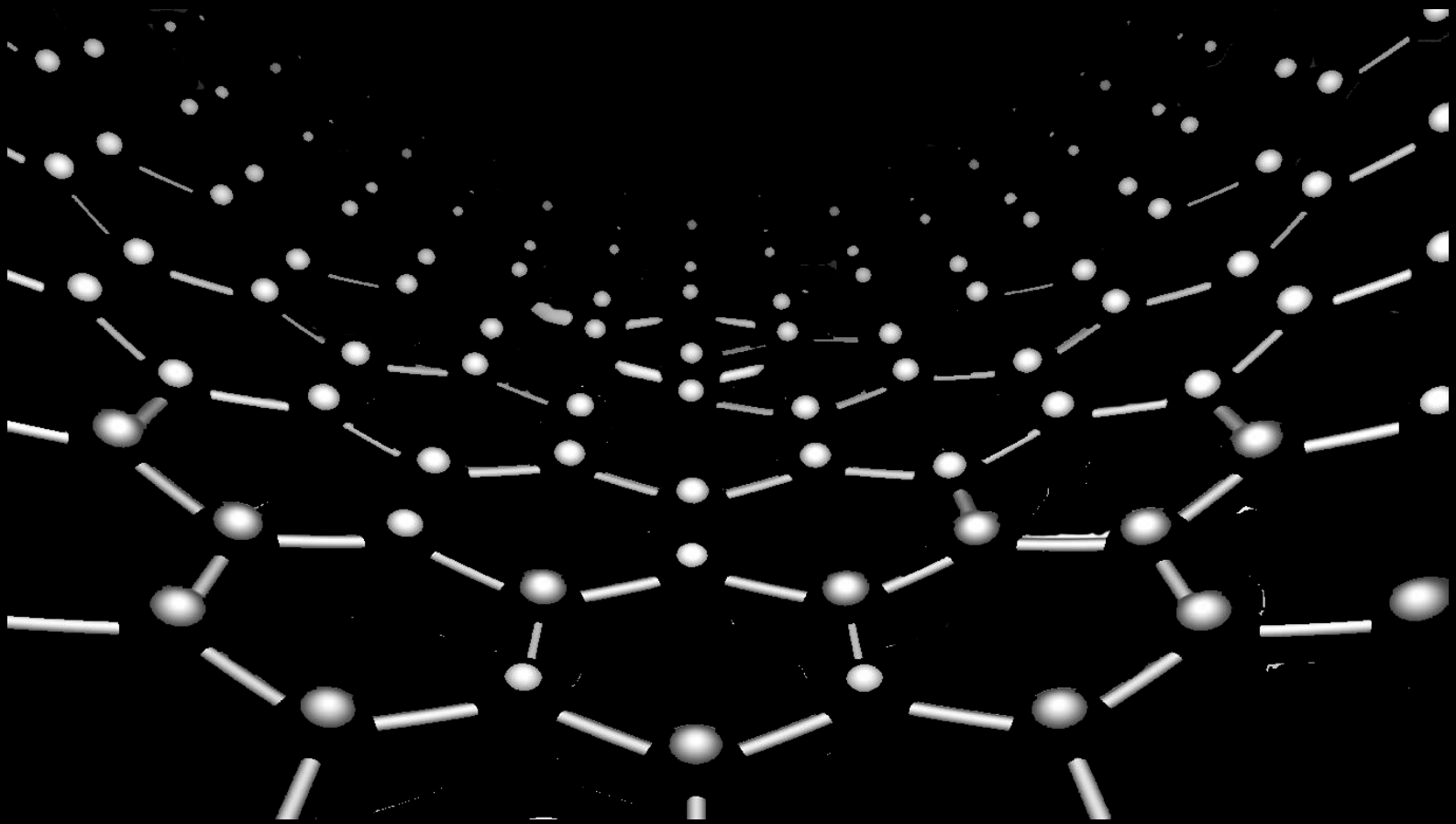
E-MMORTAL AUTOMOTIVES

E-MMORTAL AUTOMOTIVES

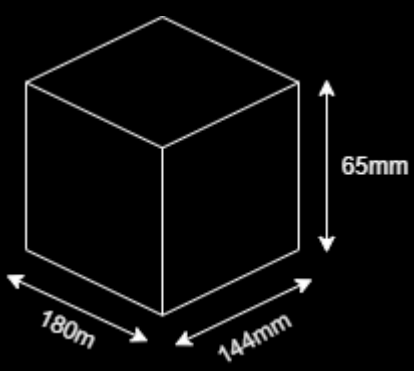
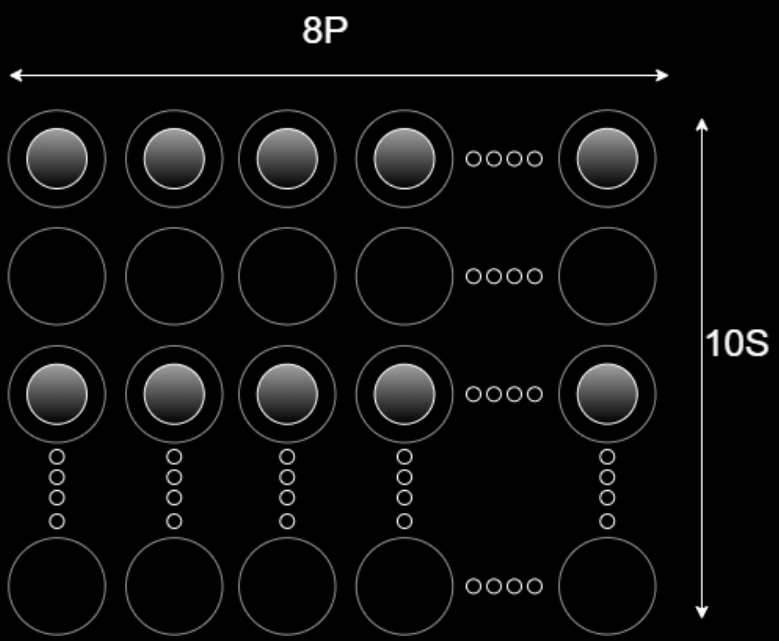
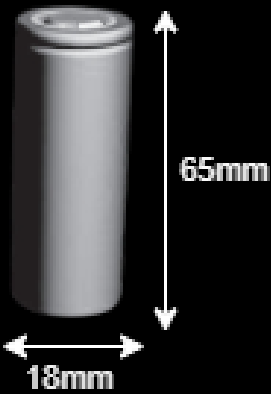


# E-MMORTAL LITHIUM ION BATTERY

#ETERNAL\_FLOW\_OF\_ENERGY



# BATTERY CONFIGURATION



# SPECIFICATION

Description	Technical Specification	Remark
Nominal Capacity	20 Ah	Capacity according to standard charge and discharge.
Nominal Voltage	36 V	The average value of working voltage during the whole discharge process.
Nominal Wattage	720Wh	
Type of Cell	Cylindrical	Part No. 18650
Capacity of Individual Cell	3.6V – 2500mAh	A Grade Cell with IR < 35mΩ.
Configuration	10S-8P	10 in series and 8 in parallel.
Charge Current	Up to 4A	Constant charge.
Discharge Current	Up to 4A	Constant discharge.
Peak Discharge	Up to 40A	Peak discharge for 3 sec.
Charge Cut-off Voltage	42V	Protected with balancing BMS.
Discharge Cut-off Voltage	27.5V	Protected with balancing BMS.
Working Temperature (Charging)	0-45°C	Under constant charge.
Working Temperature (Discharging)	-20-60°C	Under constant discharge.
Weight	3.75KG	Approx.
Dimensions (Approx.)	Length(mm)	180mm
	Width(mm)	144mm
	Height(mm)	65mm
Cycle Life	≥600	With 80% DOD.
Storage Temperature	1-3 Months	20-45°C
	3-6 Months	20-35°C
Battery (LCV)	Provided	
Battery (HCV)	Provided	
Battery Reverse Protection	Provided	
Packing Type	PVC material	PVC material
Output Cable	Provided	4 sq. mm

## E-mmortal Automotives Pvt. Ltd.



emmortalautomotives.com



info@emmortalautomotives.com



+91 90288 12136



ASM-03, Ashwin Nagar Service Rd, Ashwin Nagar, Nashik, Maharashtra 422009.