

25.6V | 78Ah | Li-FePO4



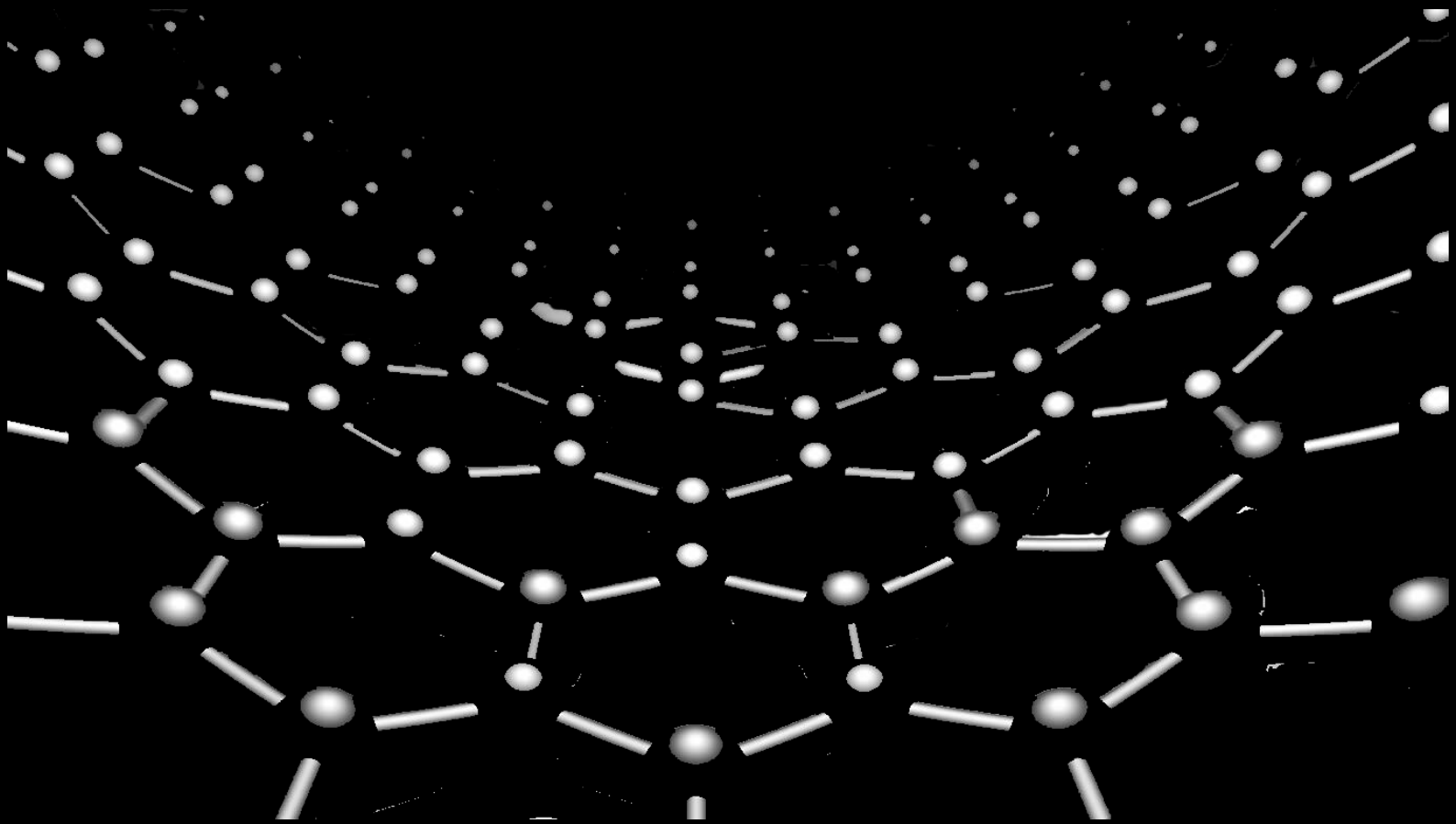
E-MMORTAL AUTOMOTIVES

E-MMORTAL AUTOMOTIVES

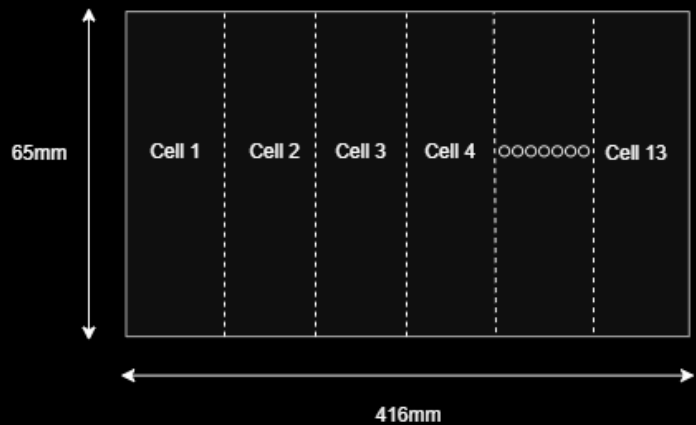
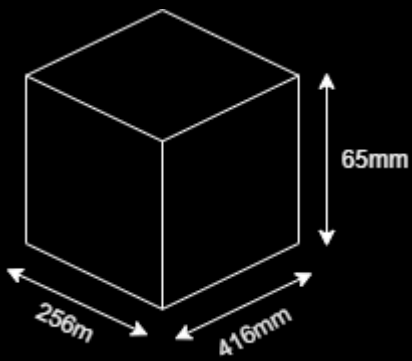
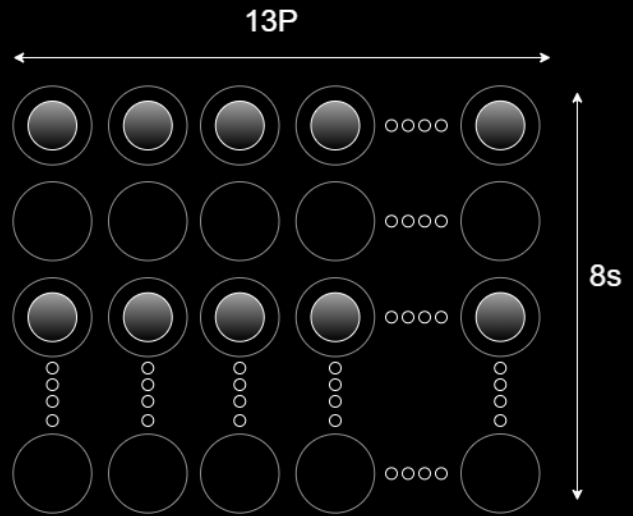
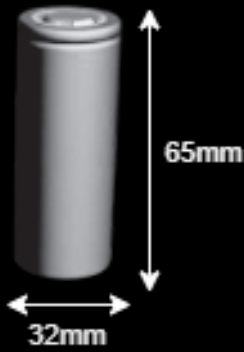


E-MMORTAL LITHIUM ION BATTERY

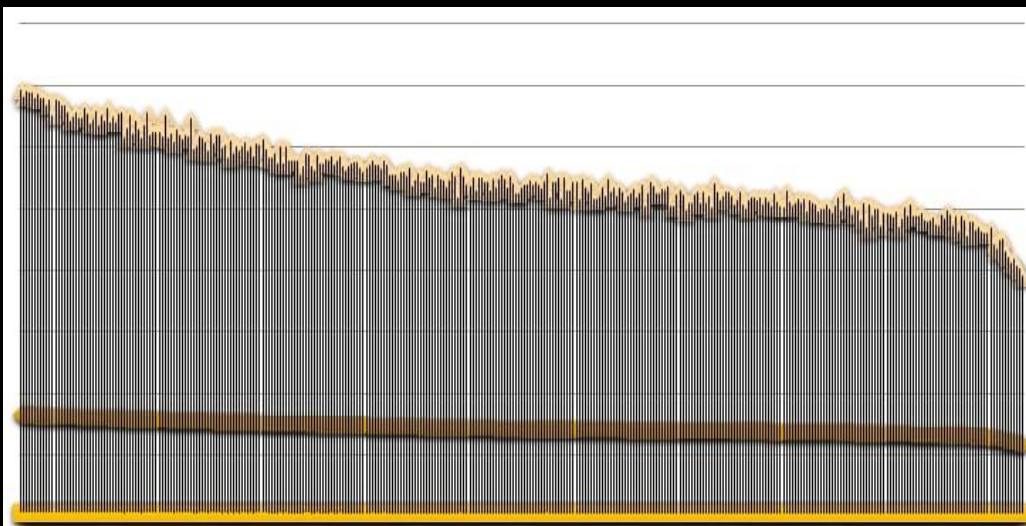
#ETERNAL_FLOW_OF_ENERGY



BATTERY CONFIGURATION



Test Results:



SPECIFICATION

Description	Technical Specification	Remark
Nominal Capacity	78 Ah	Capacity according to standard charge and discharge.
Nominal Voltage	25.6 V	The average value of working voltage during the whole discharge process.
Nominal Wattage	1996.8Wh	
Type of Cell	Cylindrical	Cell 32700
Capacity of Individual Cell	3.2V – 6000mAh	A Grade Cell with IR < 9mΩ.
Configuration	8S-13P	8 in series and 13 in parallel.
Charge Current	Up to 15.6A	Constant charge.
Discharge Current	Up to 15.6A	Constant discharge.
Peak Discharge	Up to 180A	Peak discharge for 3 sec.
Charge Cut-off Voltage	29.2V	Protected with balancing BMS.
Discharge Cut-off Voltage	22.4V	Protected with balancing BMS.
Working Temperature (Charging)	0-40°C	Under constant charge.
Working Temperature (Discharging)	0-40°C	Under constant discharge.
Weight	16.5KG	Approx.
Dimensions (Approx.)	Length(mm)	256mm
	Width(mm)	416mm
	Height(mm)	65mm
Cycle Life	≥2000	
Storage Temperature	1-3 Months	20-45°C
	3-6 Months	20-35°C
Battery (LCV)	Provided	
Battery (HCV)	Provided	
Battery Reverse Protection	Provided	
Packing Type	PVC material	PVC material
Output Cable	Provided	6 sq. mm

E-mmortal Automotives Pvt. Ltd.



emmortalautomotives.com



info@emmortalautomotives.com



+91 90288 12136



ASM-03, Ashwin Nagar Service Rd, Ashwin Nagar, Nashik, Maharashtra 422009.